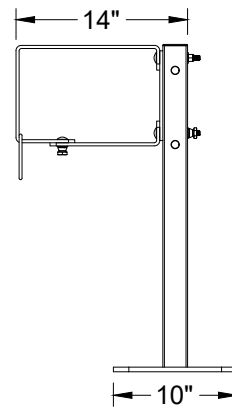
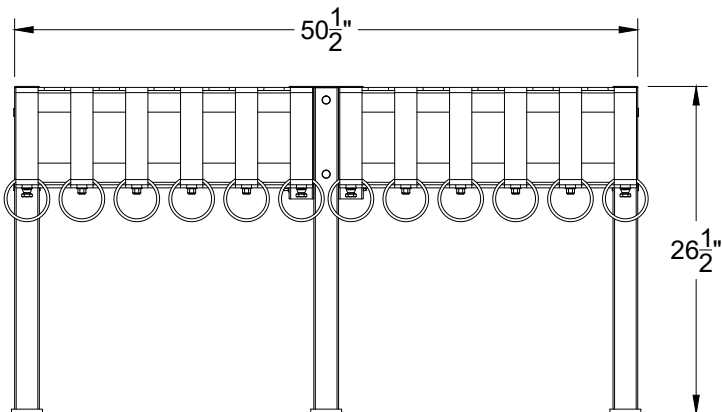
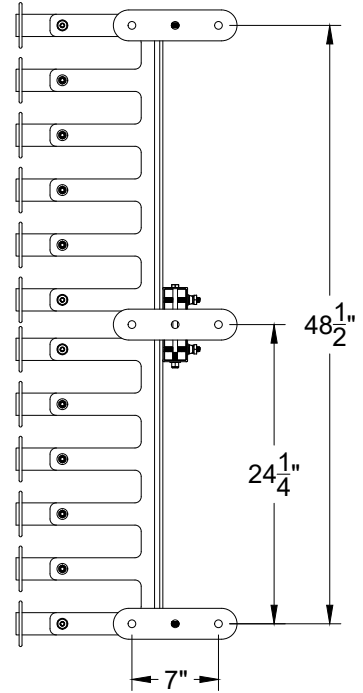
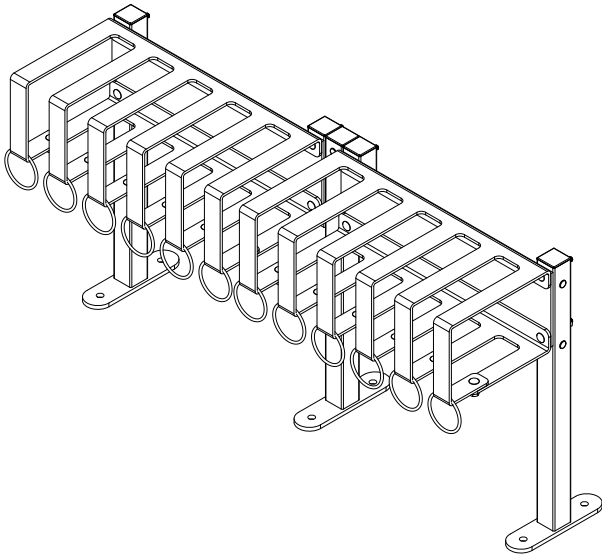


Brute 10 and 12 Single Sided Specifications (10 Shown)



All dimension are given with +/- 1/4".