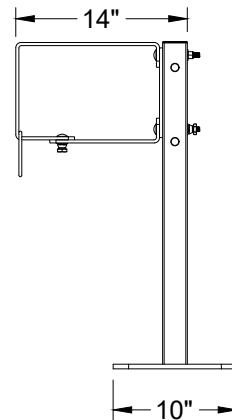
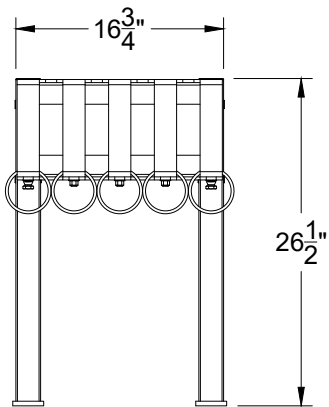
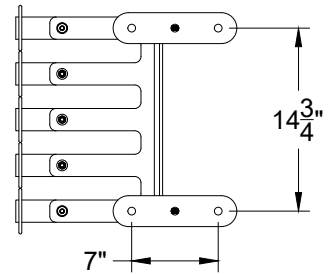
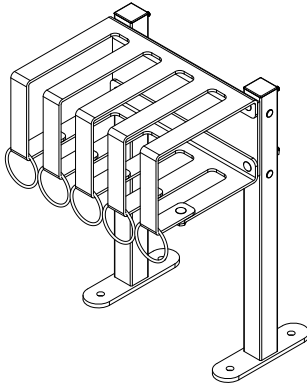


## Brute 4 Specifications



All dimension are given with +/- 1/4".