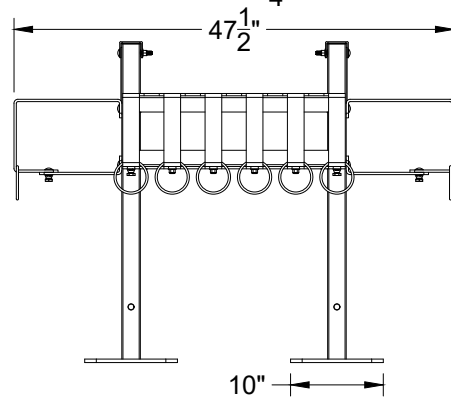
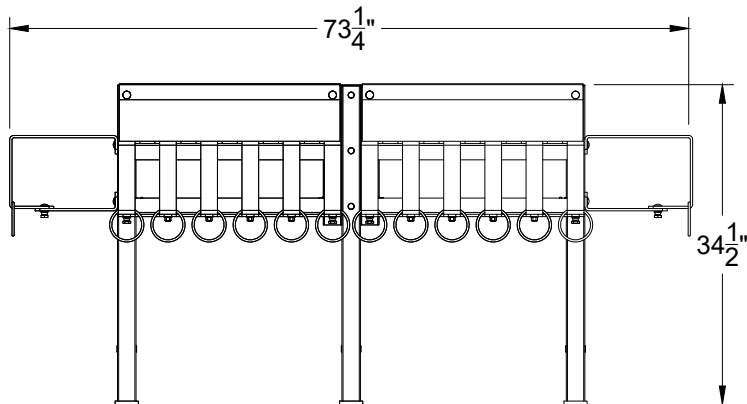
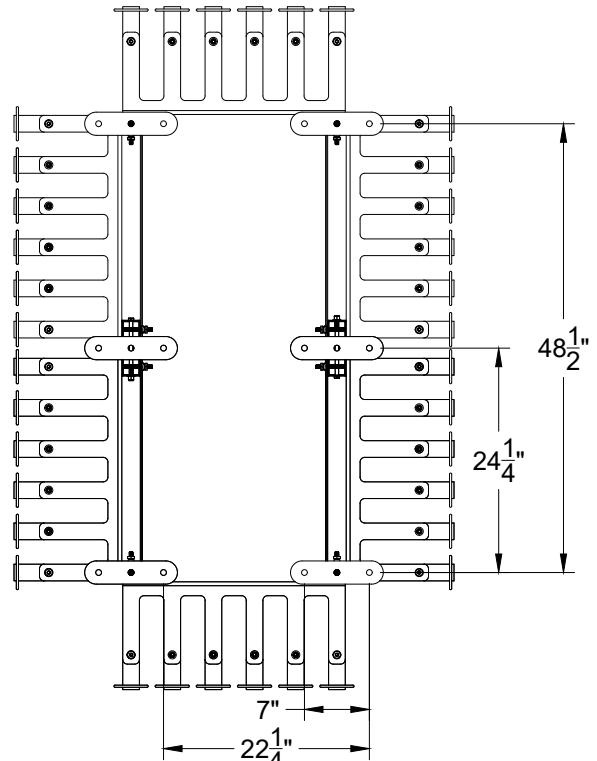
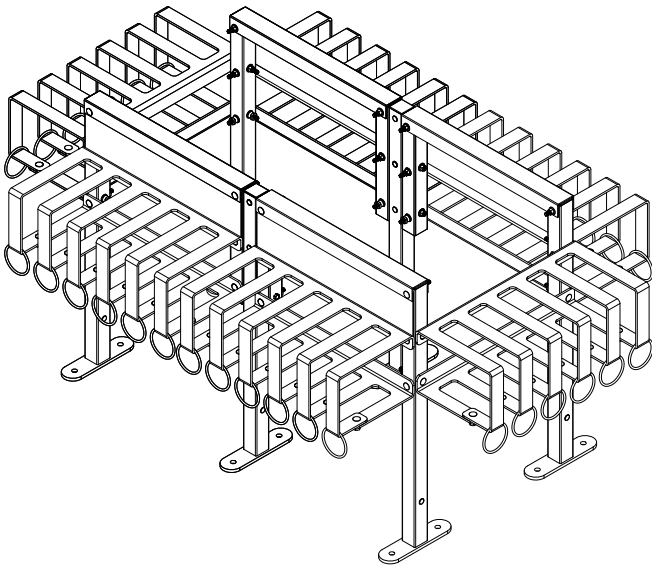


Premium Brute 30 and 36 Rectangle Specifications (30 Shown)



All dimension are given with +/- 1/4".